

MK2

Automatic Pool Cleaner



WHY PURCHASE IT?

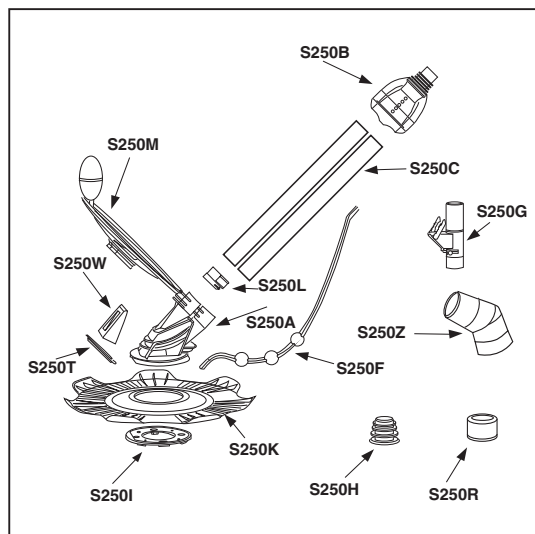
- Cleans the surface of the pool removing dirt and debris.
- Works in a wide variety of pools.
- Runs off current filtration system
- Easy to install.
- 12 months warranty.
- Contains all parts including hoses (10 x 1m) and fittings.
- Installation and operation manual included.

CLEANER CHECKLIST:

- Not to be used in above ground pools without a skimmer box.
- Suitable for 0.75hp pumps or greater.
- Not to be used if pumps and filter is greater than 10m from the skimmer.

SPARE PARTS:

FINELINE	DESCRIPTION	PART NUMBER
3090086	Pleated Seal	S250K
3090087	Hose Cone	S250H
3090088	Regulator Valve	S250G
3090089	Baffle/Flapper/ Footpad Combo	S250I, S250T, S250W
3090090	Elbow Connection Fitting	S250Z
3090091	Male/Female hose	
3090140	Female/Female hose	



MK2

Automatic Pool Cleaner

Frequently Asked Questions & Trouble Shooting Guide

1. WILL THE POSEIDON MK2 WORK USING MY CURRENT SYSTEM?

The POSEIDON MK2 requires a minimum 0.75 Horsepower (HP) Pump and a skimmer box with a skimmer plate.

2. THE CLEANER IS SUCKING IN AIR?

Ensure all joints are secure, that the regulator valve is facing down in the skimmer box. (Arrow pointing into skimmer plate). Adjustments can also be made to the regulator valve to control suction.

3. THE CLEANER IS WORKING AT A SLOW PACE OR NOT MOVING AT ALL?

Check to see that there is enough suction:

- a. Adjustments to the regulator valve may be required. Ensure that the cleaner is free of debris.
- b. Remove the baffle plate (Refer to Figure 10 in the manual) and the flapper to check that it is free of debris.

4. THE CLEANER IS DOING A REPETITIVE PATTERN OR ONLY CLIMBING THE WALLS?

Simply adjust the regulator valve, or move the yellow hose weights so that the first weight is 1m away from the cleaner and the second weight is 2-2.5m away from the cleaner. Two weights is often sufficient for a 9 metre hose length.

5. I HAVE A BROKEN PART?

If you have a broken or damaged part please contact POSEIDON on the Free Call number - 1800 625 123 or email help@hyclor.com.au